

Performance & dimensions

Application: Low back pressure

Refrigerant: R134a (CF₃CH₂F)

Evaporator temp range: -35°C to -5 °C

Rated voltage / Frequency	Model	ASHRAE								Voltage range
		50Hz				60Hz				
		Capacity		COP - W/W		Capacity		COP - W/W		
		W	kcal/hr	RSIR	RSCR	W	kcal/hr	RSIR	RSCR	
100V 50Hz/60Hz	SB24C50GA00	37	32	0.60	-	45	39	0.70	-	90V-110V
	SB30C56GA00	60	52	0.82	-	72	62	0.91	-	
	SB35C66GA00	76	65	0.84	-	88	76	0.95	-	
	SB39C76GA00	81	70	0.91	-	99	85	1.00	-	
	SB43C86GA00	95	82	0.98	-	120	103	1.11	-	
	SB43C90RA00	95	82	-	1.06	120	103	-	1.17	
	SB48C97RA00	110	95	-	1.06	133	114	-	1.15	
110V 60Hz	SB51C12RA00	125	108	-	1.03	148	127	-	1.15	99V-121V
	SB30C55GAT6					72	62	0.83	-	
115V 60Hz	SB48C90RAT6					133	114	-	1.22	103V-127V
	SB24C50GAU6					45	39	0.80	-	
	SB30C50GAU6					72	62	0.93	-	
	SB35C65GAU6					88	76	1.05	-	
	SB43C75GAU6					120	103	1.09	-	
	SB43C77RAU6					120	103	-	1.14	
	SB48C90RAU6					133	114	-	1.17	
SB51C90RAU6					142	122	-	1.17		
220V 50Hz	SB48C12GAX5	110	95	1.06	-					170V-250V
220V 50Hz/60Hz	SB30C70GAX0	60	52	0.88	-	72	62	0.97	-	170V-250V 50Hz 198V-242V 60Hz
	SB35C80GAX0	76	65	1.02	-	88	76	1.06	-	
	SB43C10GAX0	95	82	1.04	-	120	103	1.11	-	
220V 60Hz	SB30C65GAX6	-	-	-	-	72	62	0.95	-	170V-250V
	SB35C70GAX6	-	-	-	-	88	76	1.00	-	
220V-240V 50Hz	SB24C50GAW5	37	32	0.71	-					198V-264V
	SB30C50GAW5	60	52	0.81	-					
	SB35C65GAW5	76	65	0.96	-					
	SB43C80GAW5	95	82	1.03	-					
	SB48C95GAW5	110	95	1.03	-					
230V-240V 50Hz	SB35C67RAY5	76	65	0.99	1.06					207V-255V
	SB43C90RAY5	95	82	1.02	1.09					207V-264V
	SB48C10RAY5	108	93	1.01	1.07					

Notes: All data covered by this catalogue are given as general information only.

Since we are constantly improving our products, as the specifications and availability are subject to change without notice

Performance & dimensions

Condition	ASHRAE
Condensing temperature:	54.4 °C
Evaporating temperature:	-23.3 °C
Gas superheated to:	32.2 °C
Liquid subcooled to:	32.2 °C
Ambient temperature:	32.2 °C

Performance & dimensions

Appearance - representative

Rated voltage / Frequency	Model		Dimension -mm			Mount	
	Name	Cooling type	A	B	C	Dia.-mm	Pitch-mm
100V 50Hz/60Hz	SB24C50GA00	ST	149.8	159.3	161.8	Ø16 * 4 Ø19 * 4	70*170 101.6*165.1
	SB30C56GA00	ST					
	SB35C66GA00	ST					
	SB39C76GA00	ST	149.8	169.3	171.8		
	SB43C86GA00	ST					
	SB43C90RA00	ST					
	SB48C97RA00	ST					
	SB51C12RA00	ST					
110V 60Hz	SB30C55GAT6	ST	149.8	159.3	161.8	Ø16 * 4 Ø19 * 4	70*170 101.6*165.1
	SB48C90RAT6	ST	151.2	170	172.5		
115V 60Hz	SB24C50GAU6	ST	149.8	159.3	161.8	Ø16 * 4 Ø19 * 4	70*170 101.6*165.1
	SB30C50GAU6	ST					
	SB35C65GAU6	ST					
	SB43C75GAU6	ST	149.8	169.3	171.8		
	SB43C77RAU6	ST					
	SB48C90RAU6	ST					
	SB51C90RAU6	ST					
220V 50Hz	SB48C12GAX5	ST	149.8	169.3	171.8	Ø16 * 4 Ø19 * 4	70*170 101.6*165.1
220V 50Hz/60Hz	SB30C70GAX0	ST	149.8	159.3	161.8	Ø16 * 4 Ø19 * 4	70*170 101.6*165.1
	SB35C80GAX0	ST	149.8	169.3	171.8		
	SB43C10GAX0	ST					
220V 60Hz	SB30C65GAX6	ST	149.8	159.3	161.8	Ø16 * 4 Ø19 * 4	70*170 101.6*165.1
	SB35C70GAX6	ST	149.8	164.3	166.8		
220V-240V 50Hz	SB24C50GAW5	ST	149.8	159.3	161.8	Ø16 * 4 Ø19 * 4	70*170 101.6*165.1
	SB30C50GAW5	ST					
	SB35C65GAW5	ST					
	SB43C80GAW5	ST	149.8	169.3	171.8		
	SB48C95GAW5	ST					
230V-240V 50Hz	SB35C67RAY5	ST	149.8	159.3	161.8	Ø16 * 4 Ø19 * 4	70*170 101.6*165.1
	SB43C90RAY5	ST	149.8	169.3	171.8		
	SB48C10RAY5	ST					

Note) Compressor cooling: ST = Static cooling, FC = Fan cooling, OC = Oil cooling

Notes: All data covered by this catalogue are given as general information only.

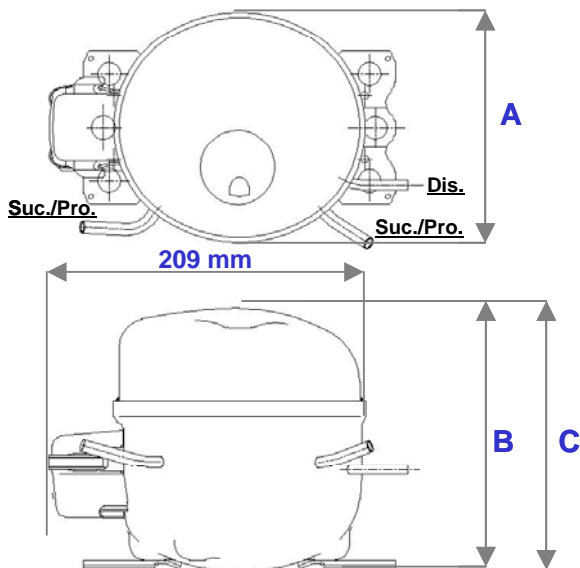
Since we are constantly improving our products, as the specifications and availability are subject to change without notice

Performance & dimensions

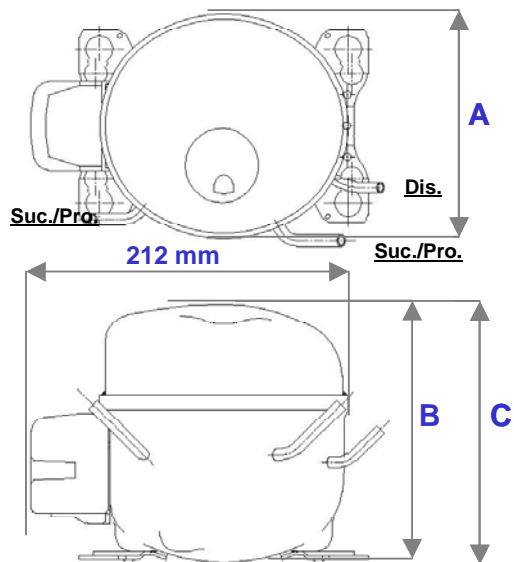
Tube dimension - representative

Rated voltage / Frequency	ID / OD -mm				Location of Suction tube
	Dis.	Suc.	Pro.	Oil cooler	
100V 50Hz/60Hz	4.9 / 7.0	6.54 / 7.94	6.54 / 7.94		Either side
110V 60Hz					
115V 60Hz					
220V 50Hz					
220V 50Hz/60Hz					
220V 60Hz					
220V-240V 50Hz					
230V-240V 50Hz					

100V 50Hz/60Hz



**110V 60Hz, 115V 60Hz
220V 50Hz, 220V 50Hz/60Hz
220V 60Hz, 220V-240V 50Hz
230V-240V 50Hz**



Notes: All data covered by this catalogue are given as general information only.

Since we are constantly improving our products, as the specifications and availability are subject to change without notice